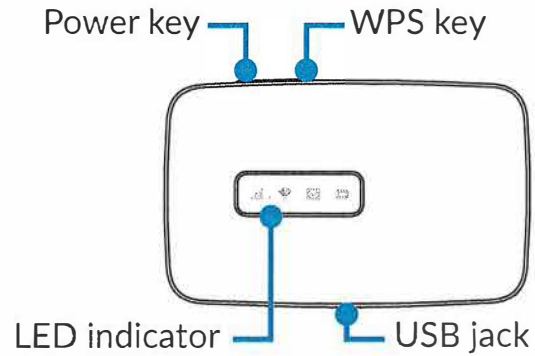


Getting to Know Your Mobile Hotspot



LED Description

Part	Description
Power key	Hold the "Power" key for 3 seconds to power the device on/ off.
WPS key	Hold "WPS" key for 3 seconds to activate the WPS function. Once activated, the Wi-Fi LED indicator will flash every two seconds. If the network is not accessed within 2 minutes device will automatically exit WPS mode.
LED indicators	Displays signal, Wi-Fi, SMS, and battery charge status.
Charging / USB Port	Use the USB jack to charge your device and connect your device to the client via the USB cable.
Reset	Hold both "Power" and "WPS" keys simultaneously for 6 seconds. All LED indicators will flash blue 4 times to indicate that the device has been reset to factory mode.
Reboot	Hold "Power" key for 10 seconds to restart device.

Indicators

When the hotspot is powered on, the following icons will illuminate. For a description of the icons, please refer to the table below:



-  Network Indicator (Red or Blue LED)
-  Wi-Fi Indicator (Blue LED)
-  SMS Indicator (Blue LED)
-  Battery Indicator (Red or Blue LED)

	LED	Description
Network Indicator	Solid Blue	Registered and connected to network.
	Flashing Blue	Network disconnected.
	Solid Red	No network, no SIM card or SIM card error, limited or no service.
Wi-Fi	Solid Blue	Wi-Fi is active.
SMS	Solid Blue	New message
	Flashing Blue	Message inbox is full.
Battery	Rapidly Flashing Blue	Working.
	Rapidly Flashing Blue	The battery is being charged.
	Solid Blue	Full charged.
	Flashing Red	The battery level is less than 10%.